



# RIFT actuators

# LARGE ACTUATOR



## Benefits

- ✓ Easy Setup
- ✓ Energy Efficient
- ✓ Plug-in Connectors
- ✓ Covered by Patent
- ✓ Bluetooth Connectivity
- ✓ Accuracy to within 0.5°

## LARGE RANGE

Model No.	PLUS200UV
Torque	Up to 200NM
Upgradable Features	FAILSAFE - MODULATION - SPEED CONTROL WIGGLE - MULTI TURN - OFF GRID FACILITY PROCESS CONTROL - TORQUE RESTRICTION

Smart - Electric Actuator, Bluetooth enabled and fully configurable via Android App. Setting Torque Rating and upgradable with value adding features, Failsafe, Wiggle, Modulation, Speed Control, Multi-Turn and more.



Advantage Business Park, Spring Lane  
South, Malvern, United Kingdom, WR14 1AT



[sales@riffactuators.com](mailto:sales@riffactuators.com)



[www.riffactuators.com](http://www.riffactuators.com)



+44 (0) 1684 565709



# RIFT actuators

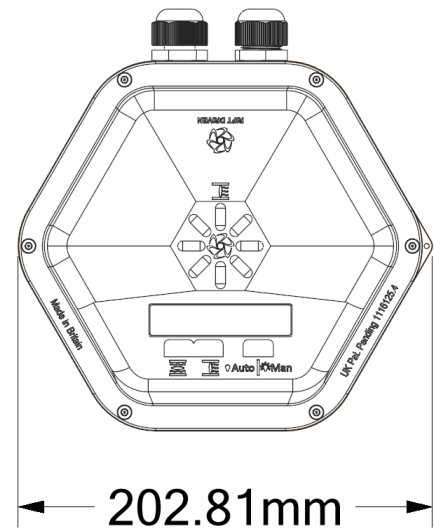
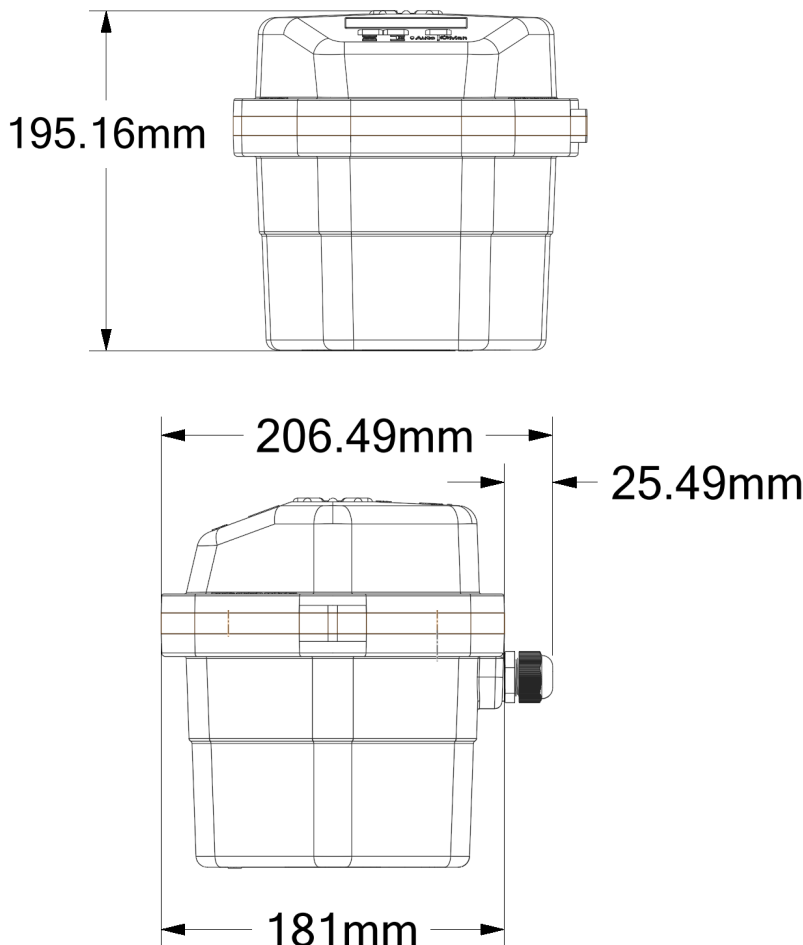
## SPECIFICATIONS

Weight	3.6kg	Output Drive Square	17mm	Manual Override	Local Buttons
Working Time 0-90 °	25 Seconds	Output Drive Orientation	0/45 °	Bluetooth Control	Via Android App
Torque	Up to 200Nm	Ingress Protection	IP67	Electrical Position Indicator	Visual Positional LED's
Anti-condensation heater	5 Watts	Input Voltage	12V - 30V DC 80V - 300V AC	Electronic Position Indicator	Via Bluetooth App
Cable Entries	2x 20mm Cable Glands	End of Travel Relays (2)	300V/900mA	Reverse Acting	Close CCW
ISO5211 Mounting	F07, F10	Ambient Temp Range °C	-20 to +70	Calibration Mode	Open/Closed/ Position & Angle

## CHARACTERISTICS

**Base:** Nylon 66 GF30  
**Lid:** Nylon 66 GF30  
**Gears:** Acetal & Nylon 66

**External Screws:** Stainless Steel  
**Electrical Motor:** Single Phase 6-24VDC  
**Drive Adapter:** Aluminium 608LT6



## APPROVALS

- CE Conformance
  - ISO5211
  - IP67
  - EN 15714-2

