



RIFT actuators

MEDIUM ACTUATOR



Benefits

- ✓ Easy Setup
- ✓ Energy Efficient
- ✓ Plug-in Connectors
- ✓ Covered by Patent
- ✓ Bluetooth Connectivity
- ✓ Accuracy to within 0.5°

ECO RANGE

PREMIUM RANGE

ECO40UV	ECO60UV	ECO80UV	ECO100UV	Model No.	PLUS40UV	PLUS60UV	PLUS80UV	PLUS100UV
40NM	60NM	80NM	100NM	Torque	40NM	60NM	80NM	100NM
FAILSAFE - WIGGLE				Upgradable Features	FAILSAFE - MODULATION - SPEED CONTROL WIGGLE - MULTI TURN - OFF GRID FACILITY PROCESS CONTROL - TORQUE RESTRICTION			

Smart - Bluetooth enabled 1/4 Turn, Open/Close, Electric Actuator. Factory upgradable at purchase with 'Failsafe' and/or 'Wiggle'.

Smart - Electric Actuator, Bluetooth enabled and fully configurable via Android App. Setting Torque Rating and upgradable with value adding features, Failsafe, Wiggle, Modulation, Speed Control, Multi-Turn and more.



Advantage Business Park, Spring Lane
South, Malvern, United Kingdom, WR14 1AT



sales@riffactuators.com



www.riffactuators.com



+44 (0) 1684 565709



RIFT actuators

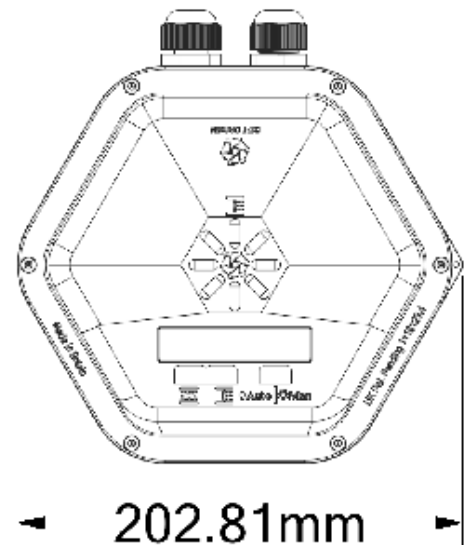
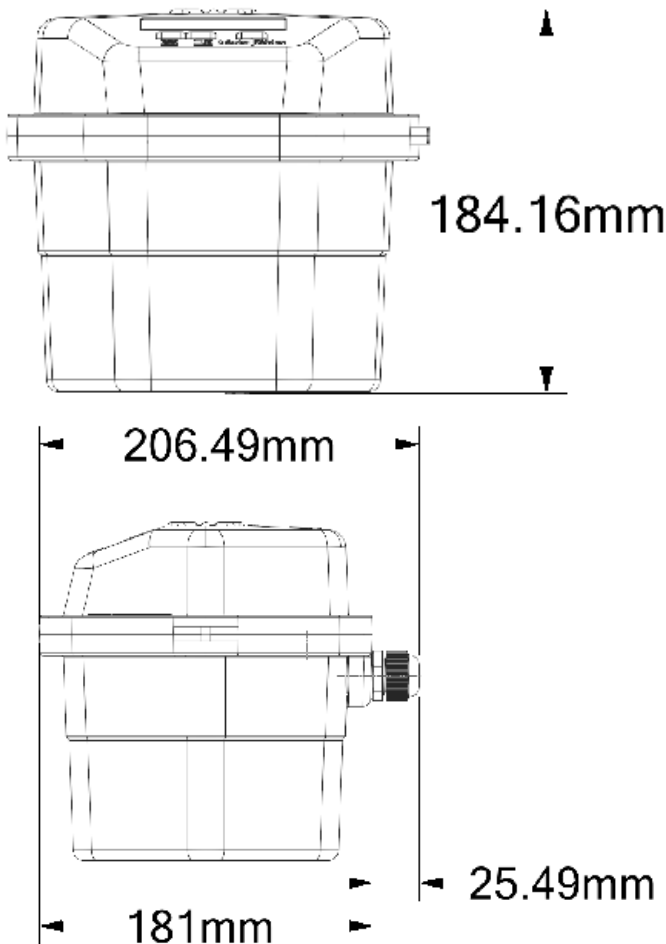
SPECIFICATIONS

Weight	2.2kg	Output Drive Square	14mm & 17mm	Manual Override	Local Buttons
Working Time 0-90 °	4 Seconds	Output Drive Orientation	0/45 °	Bluetooth Control	Via Android App
Torque	Up to 100Nm	Ingress Protection	IP67	Electrical Position Indicator	Visual Positional LED's
Anti-condensation heater	5 Watts	Input Voltage	12V - 30V DC 80V - 300V AC	Electronic Position Indicator	Via Bluetooth App
Cable Entries	2x 20mm Cable Glands	End of Travel Relays (2)	300V/900mA	Reverse Acting	Close CCW
ISO5211 Mounting	F03, F04, F05 & F07, F10	Ambient Temp Range °C	-20 to +70	Calibration Mode	Open/Closed/ Position & Angle

CHARACTERISTICS

Base: Nylon 66 GF30
Lid: Nylon 12
Gears: Acetal & Nylon 66

External Screws: Stainless Steel
Electrical Motor: Single Phase 6-24VDC



APPROVALS

- CE Conformance
 - ISO5211
 - IP67
 - EN 15714-2

