



RIFT actuators

SMALL ACTUATOR



Benefits

- ✓ Easy Setup
- ✓ Energy Efficient
- ✓ Plug-in Connectors
- ✓ Covered by Patent
- ✓ Bluetooth Connectivity
- ✓ Accuracy to within 0.1°

ECO RANGE

PREMIUM RANGE

ECO10**	ECO20**	ECO30**	Model No.	PLUS10**	PLUS20**	PLUS30**
10NM	20NM	30NM	Torque	10NM	20NM	30NM
FAILSAFE - WIGGLE			Upgradable Features	FAILSAFE - MODULATION - SPEED CONTROL WIGGLE - MULTI TURN - OFF GRID FACILITY PROCESS CONTROL - TORQUE RESTRICTION		

Smart - Bluetooth enabled 1/4 Turn, Open/Close, Electric Actuator. Factory upgradable at purchase with 'Failsafe' and/or 'Wiggle'.

Smart - Electric Actuator, Bluetooth enabled and fully configurable via Android App. Setting Torque Rating and upgradable with value adding features, Failsafe, Wiggle, Modulation, Speed Control, Multi-Turn and more.



Advantage Business Park, Spring Lane
South, Malvern, United Kingdom, WR14 1AT



sales@riffactuators.com



www.riffactuators.com



+44 (0) 1684 565709



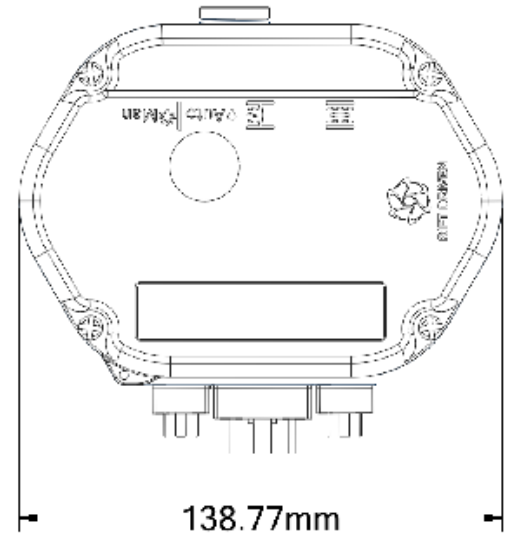
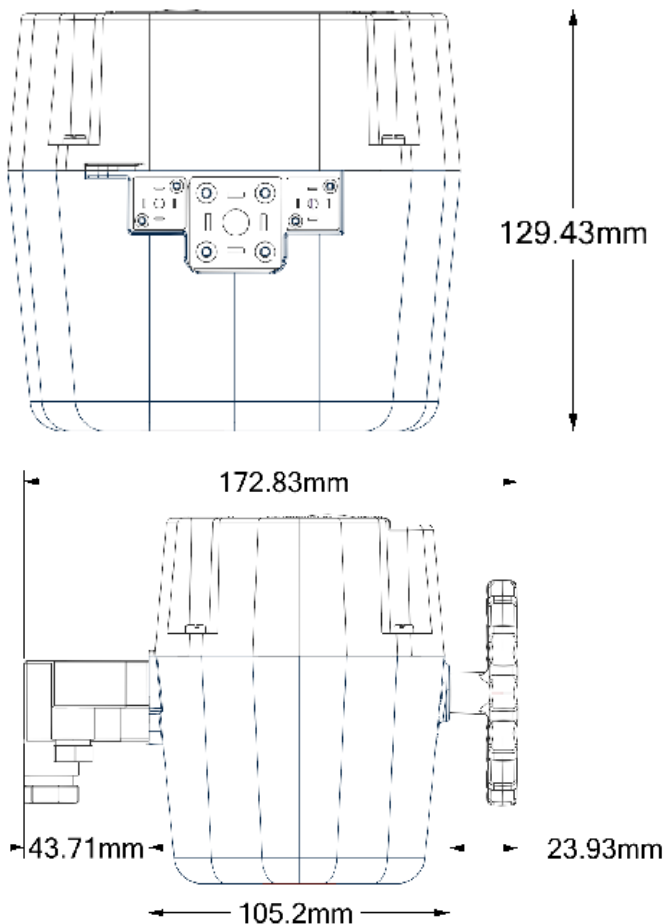
SPECIFICATIONS

Weight	1.1kg	Output Drive Square	11mm & 14mm	Manual Override	Local Buttons & Manual Handle
Working Time 0-90 °	8 Seconds	Output Drive Orientation	0/45 °	Bluetooth Control	Via Android App
Torque	Up to 30 Nm	Ingress Protection	IP67	Mechanical Position Indicator	Positional Disk
Anti-condensation heater	5 Watts	Input Voltage	12V - 30V DC	Electronic Position Indicator	Via Bluetooth App
Cable Entries	External GSA	End of Travel Relays (2)	30V/900mA	Reverse Acting	Close CCW
ISO5211 Mounting	F03, F04 & F05	Ambient Temp Range °C	-20 to +70	Calibration Mode	Open/Closed/ Position & Angle

CHARACTERISTICS

Base: Nylon 66 GF30
Lid: Polycarbonate
Gears: Acetal & Nylon 66

External Screws: Stainless Steel
Electrical Motor: Single Phase 6-24VDC



APPROVALS

- CE Conformance
 - ISO5211
 - IP67
 - EN 15714-2

